

APPLICATION:

PRODUCT NAME:

8" ADJ. WALL CONTROL VALVE  
WITH 3" ECCENTRICS

JOB NAME:

SPECIAL CONFIGURATION  
 CHECK BASE MODEL AND OPTIONS

QUANTITY:

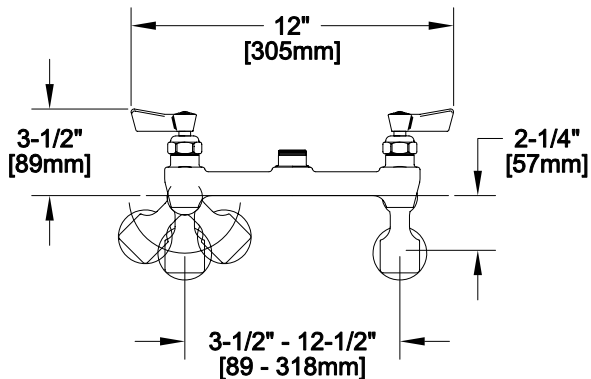
ITEM NO.

MODEL:

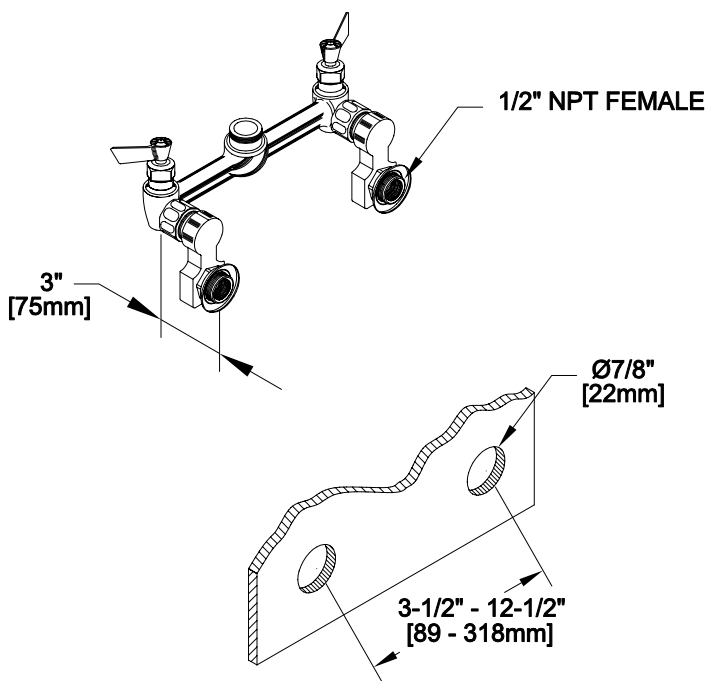
- 2488 WITH 3/8" F OUTLET AND CHECK VALVES
- 2526 WITH 3/8" F OUTLET
- 2496 WITH SWIVEL OUTLET AND CHECK VALVES
- 2518 WITH SWIVEL OUTLET

OPTIONS OR MODIFICATIONS:

- SUPPLY LINES (24" OR 36") CIRCLE LENGTH
- NIPPLES
- ELBOWS
- HANDLES (CROSS OR WRIST) CIRCLE STYLE
- VANDAL RESISTANT KIT
- OTHER \_\_\_\_\_



ROUGH-IN:



FEATURES

CONTROL VALVE

- \* 3" ECCENTRICS ADJUST FROM 3-1/2" TO 12-1/2"
- \* SWIVELLING SEAT DISKS
- \* HOT SIDE STEM - RIGHT HAND
- \* COLD SIDE STEM - LEFT HAND
- \* STAINLESS STEEL SEATS
- \* STAINLESS STEEL SEAT SCREWS
- \* STAINLESS STEEL HANDLE SCREWS

SYSTEM LIMITS

- \* TEMP: 40°F MIN. TO 140°F MAX.
- \* PRESSURE: 200 PSI MAX. STATIC
- \* 13.6 GPM @ 80 PSI

SHIPPING WEIGHT

- \* 5.0 LBS